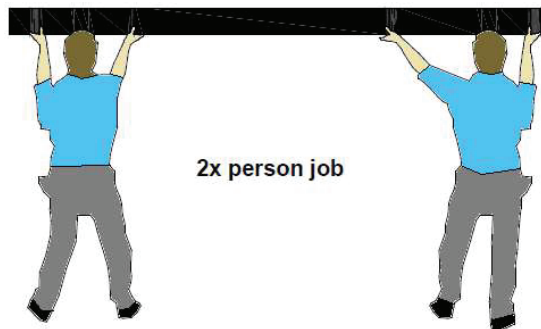
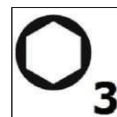
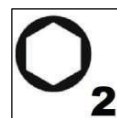


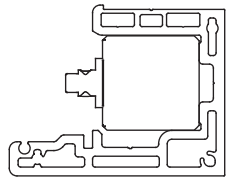
CVC-PET Full Vision Hinged Doors Retrofit Installation Manual



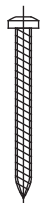
Tools needed:



1 Bottom base profile



2 Bottom front screws
4.8x45 DIN7981



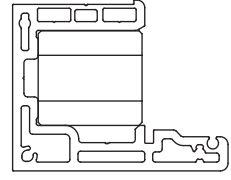
9 BOTTOM Cover profile screw
M4 x 6



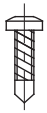
10 TOP Cover profile screw
3,5 x 10 (T15)



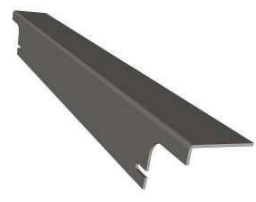
3 Top base profile



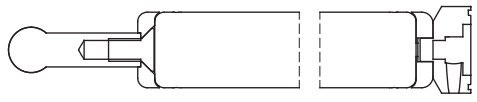
4 Top profile screws
4,8 x 16 mm



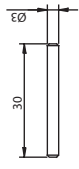
7 Bottom cover profile



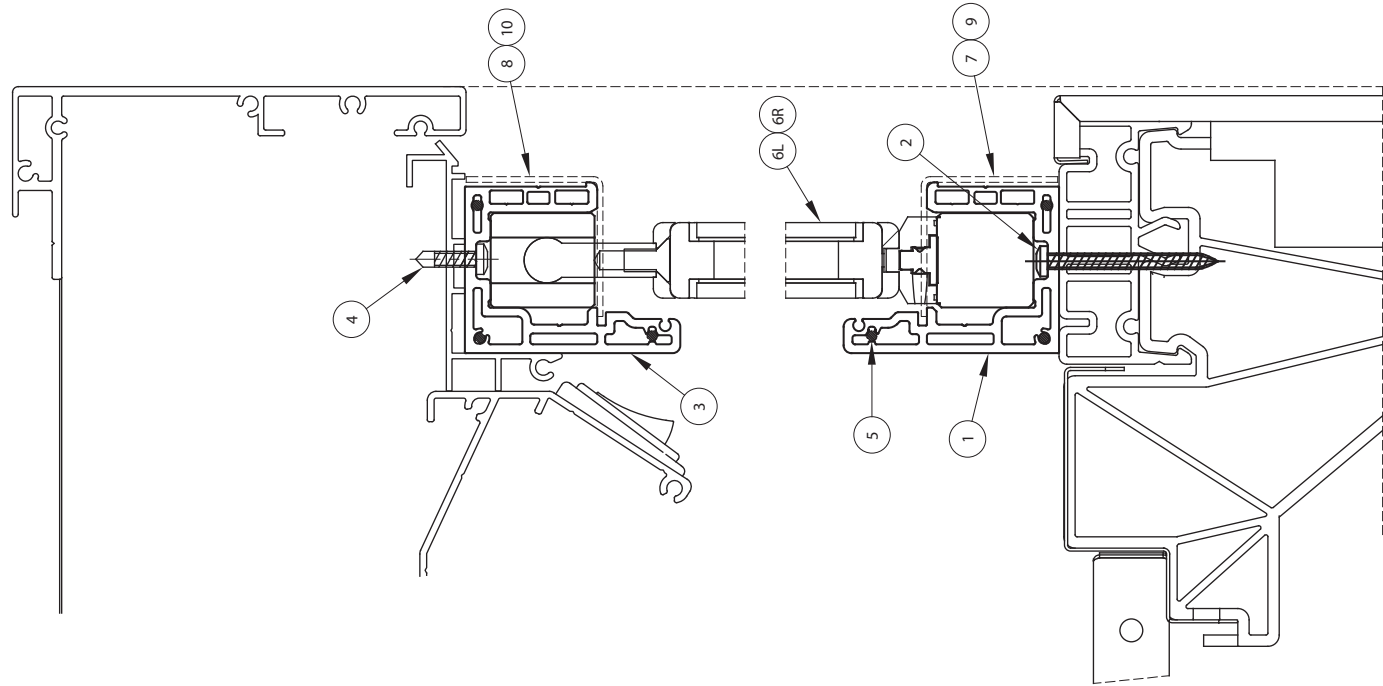
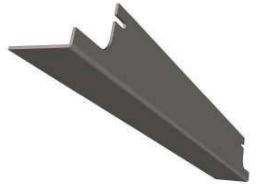
6L Door with handles
6R



5 Connecting pins
ø3 x 30 mm



8 Top cover profile

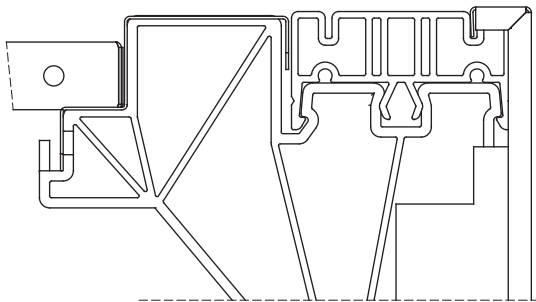
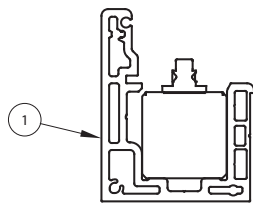


2 Cabinet bottom

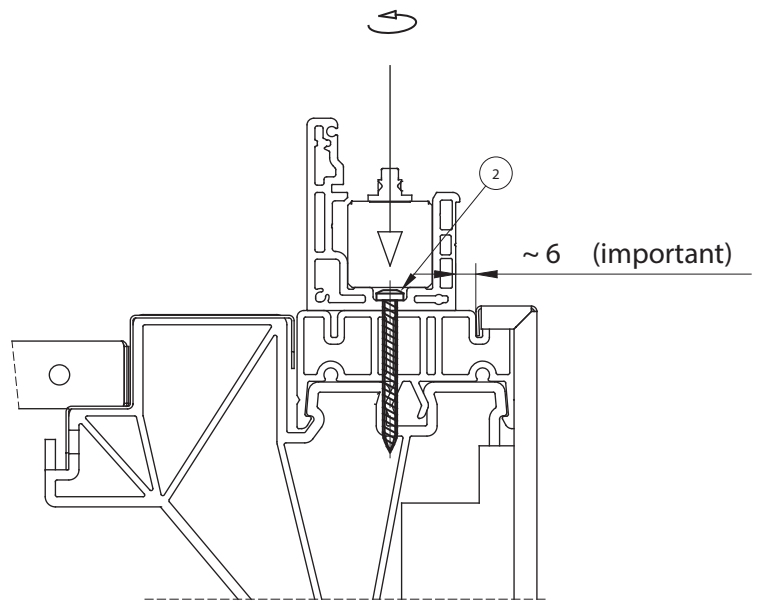
Profile length: 1250 / 1875 / 2500 / 3750 mm



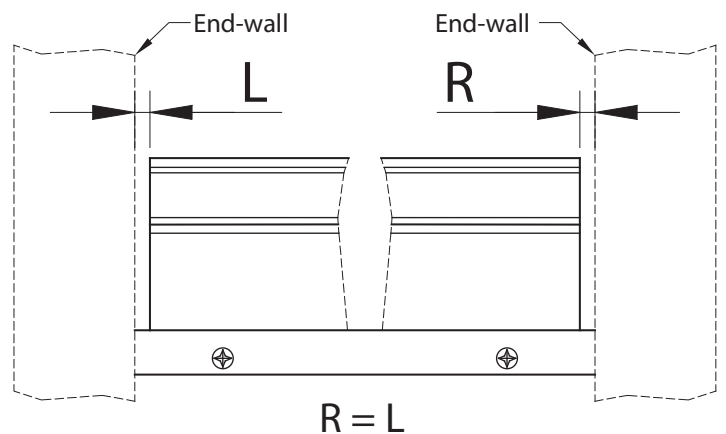
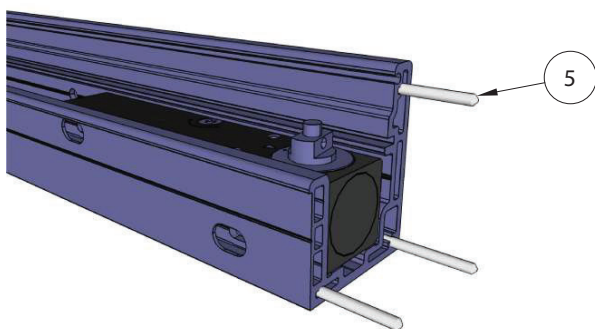
PH2



per ~ 400 mm

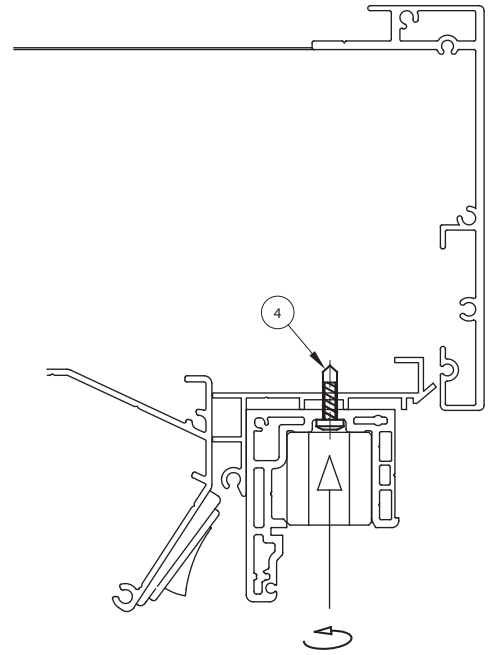
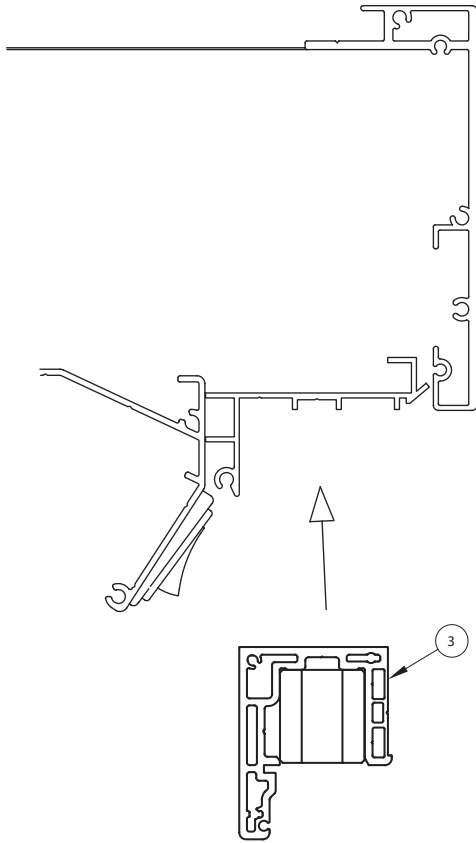


Only used when two cabinets are assembled



3

Cabinet top



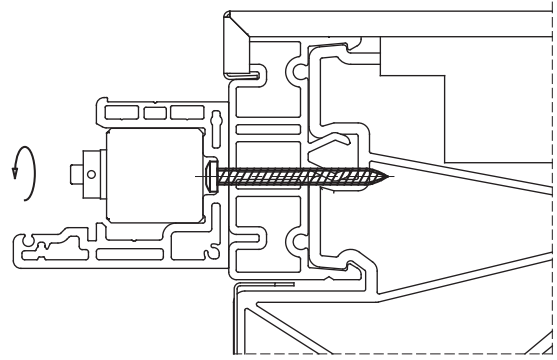
Important !!!
Use laser or plumb line to
align top and bottom !!



4

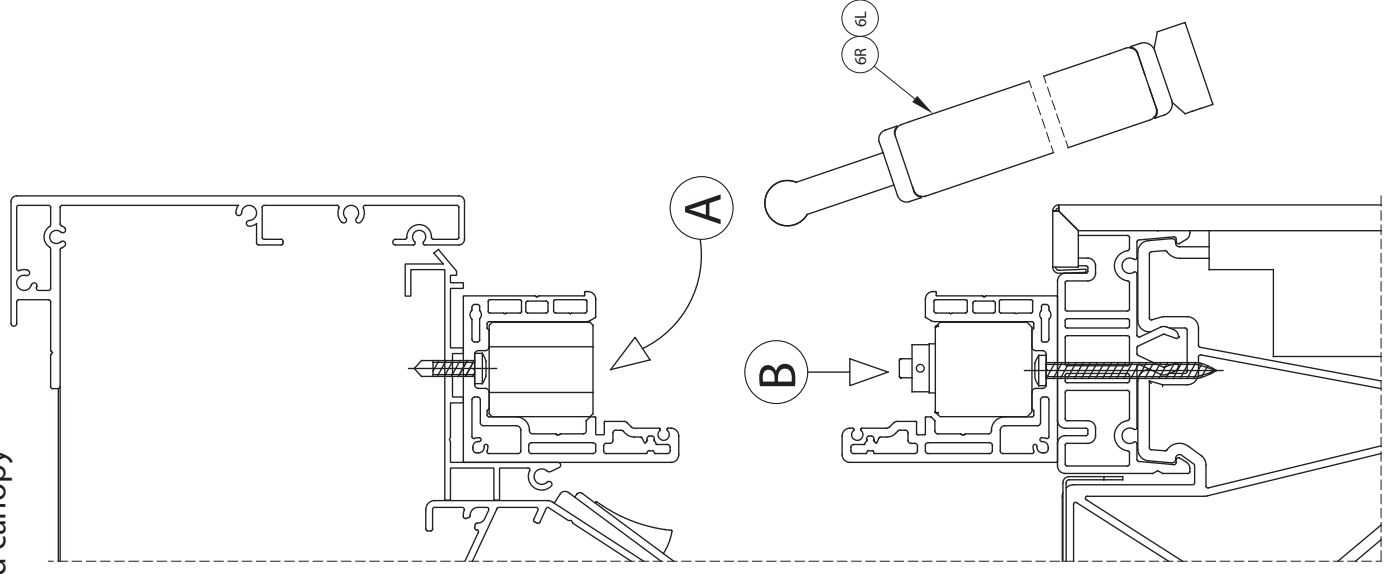
Cabinet Bottom

Turn hinge 90°
(position open)



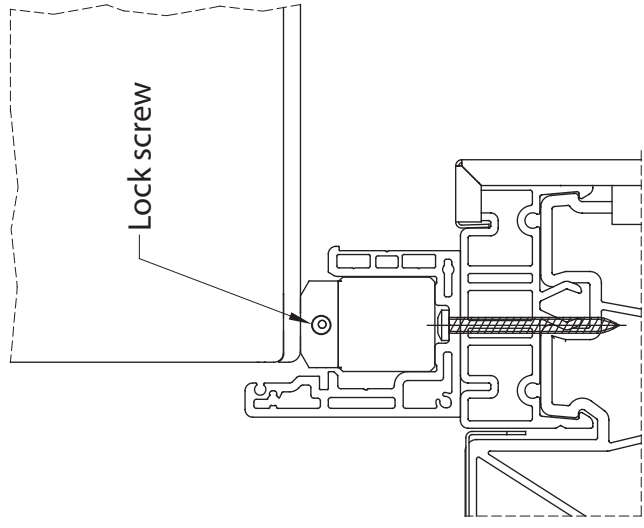
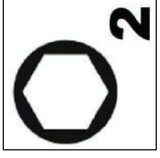
5

Door and canopy

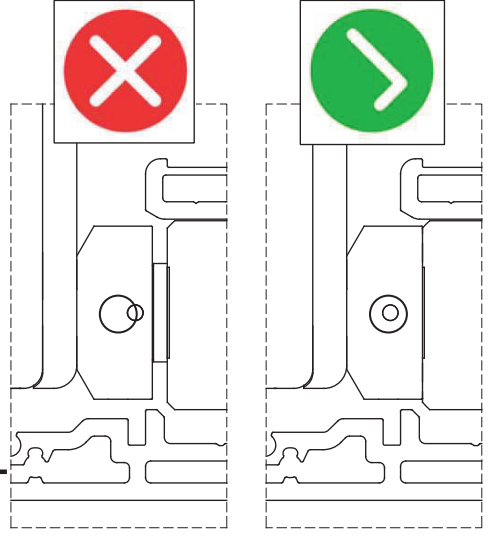


6

Cabinet Bottom

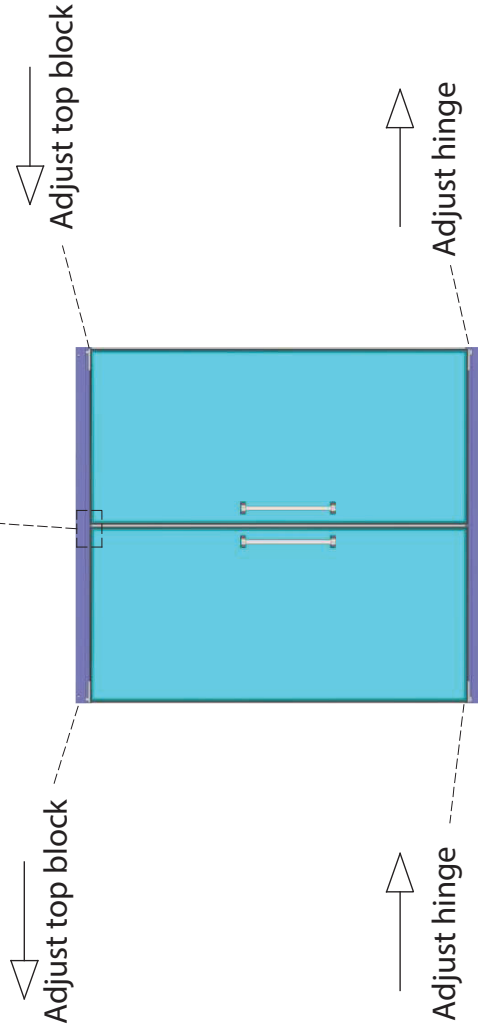
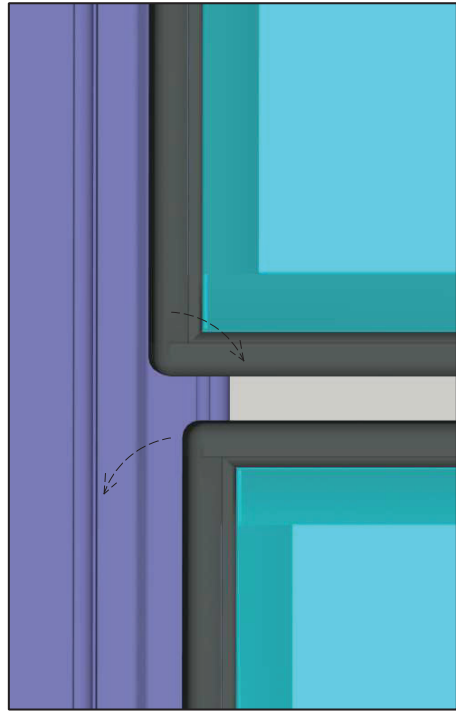


Important !!



7

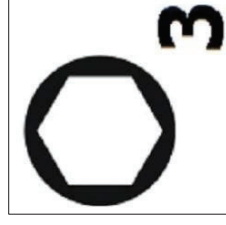
Adjusting the doors



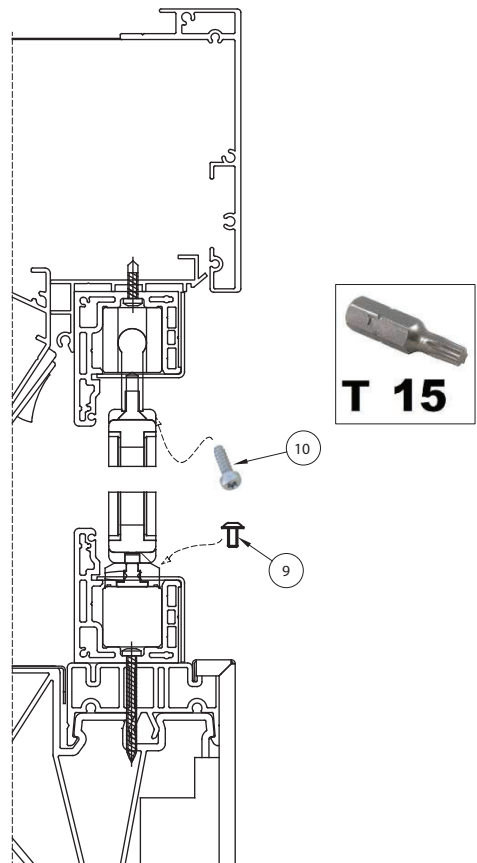
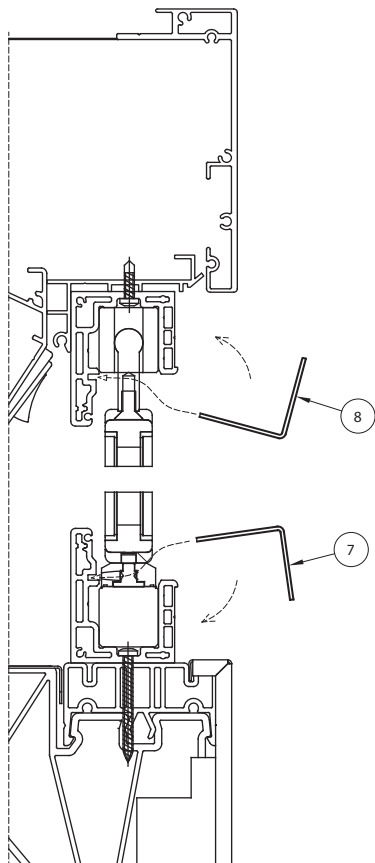
Plastic profile - Top



Plastic profile - Bottom



8 Cover profile top and bottom



Tips & Tricks

- Be careful not to scratch the doors with the tools during installation.
- Clean the doors with mild soapy water and clean microfiber cloth.

For more information, please contact us.

Katarina Kadivnik
Customer Service Manager



Door Tech Group d.o.o.
Brezovica 55, SI-8220 Šmarješke Toplice
Mob: +386 51 270 813
Tel: +386 82 015 525
E-mail: katarinak@doortech-group.com
Web: www.doortech-group.com